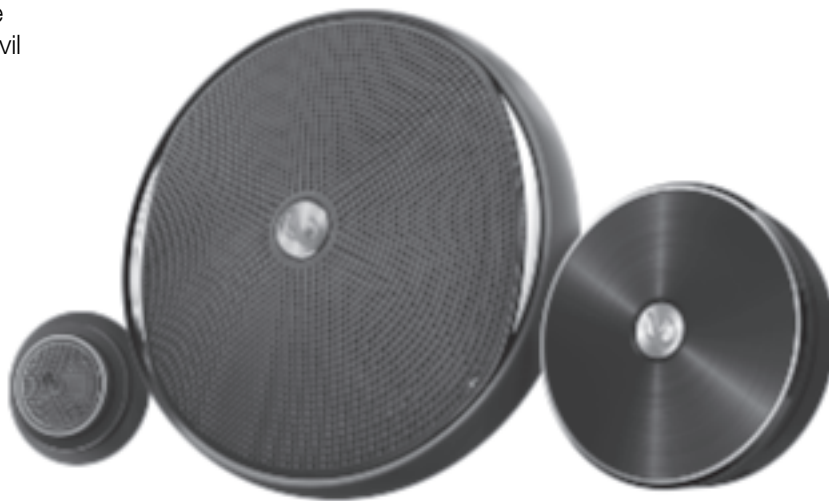


INFINITY KAPPA SPEAKERS

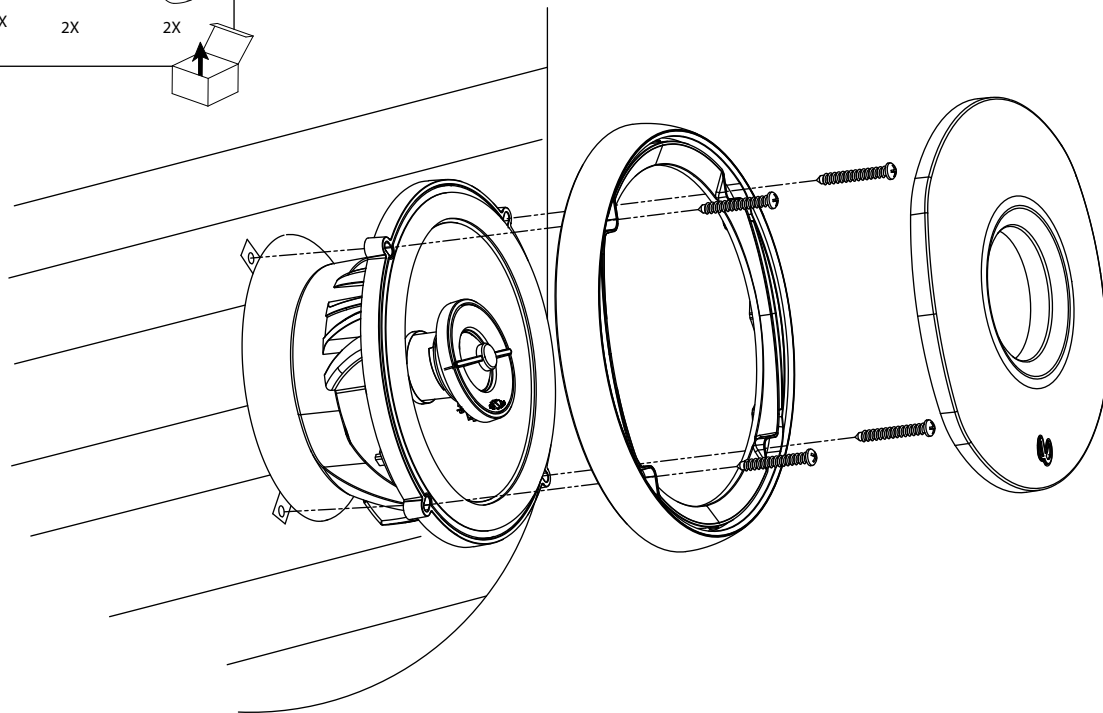
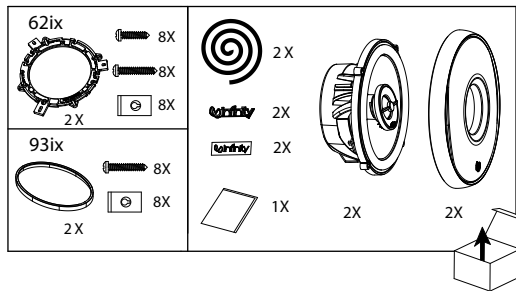


Car Audio Speaker
Haut-parleur audio automobile
Altavoz de audio para automóvil
Alto-falante automotivo
Fahrzeuglautsprecher
Diffusore Car Audio
Autoluidspreker
Bilstereohøytaler
Autokaiutin
Автомобильный динамик
Bilhögtalare
Bilhøjtaler
カーオーディオ・スピーカー
Głośnik samochodowy
카오디오 스피커
车载扬声器
汽車音響喇叭
Speaker Audio Mobil
Araba Ses Hoparlörü

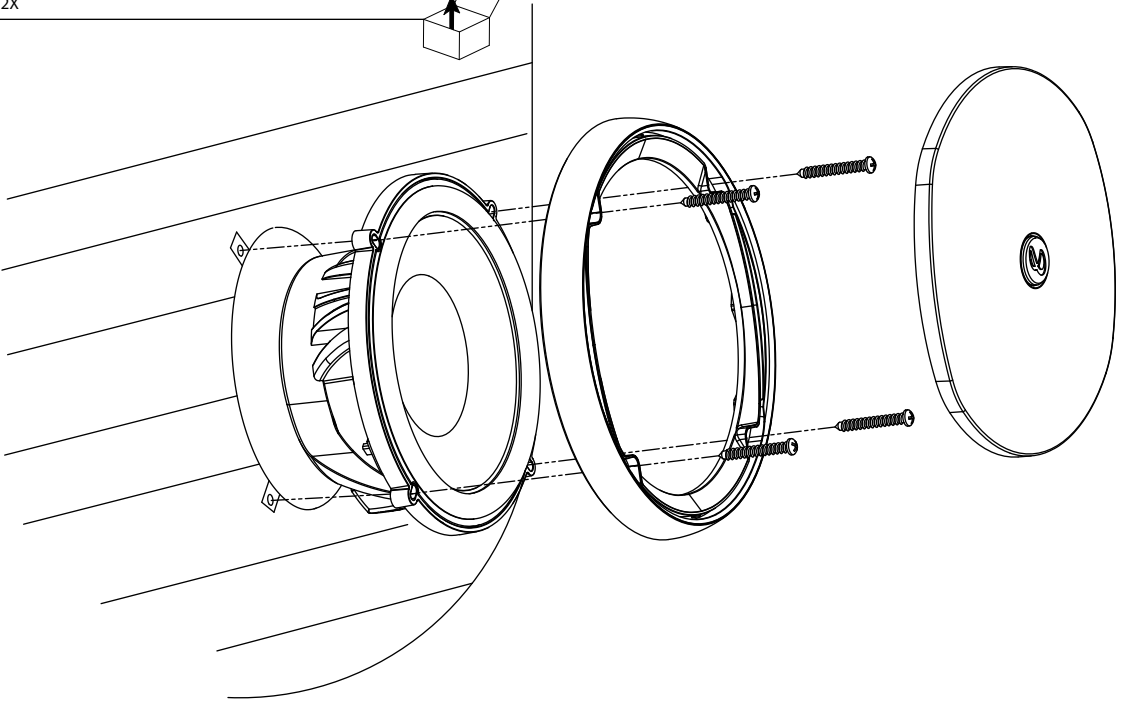
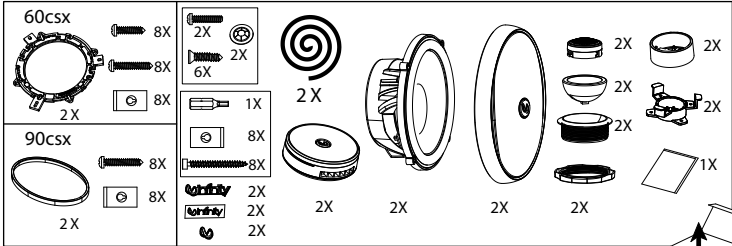


Installation manual
Manuel d'installation
Manual de instalación
Manual de instalação
Installationshandbuch
Manuale d'installazione
Installatiehandleiding
Installasjonsveiledning
Asennusopas
Руководство по установке
Installationsanvisning
Installationsmanual
設置マニュアル
Instrukcja instalacji
설치 설명서
安裝手冊
安裝手冊
Panduan instalasi
Kurulum kılavuzu

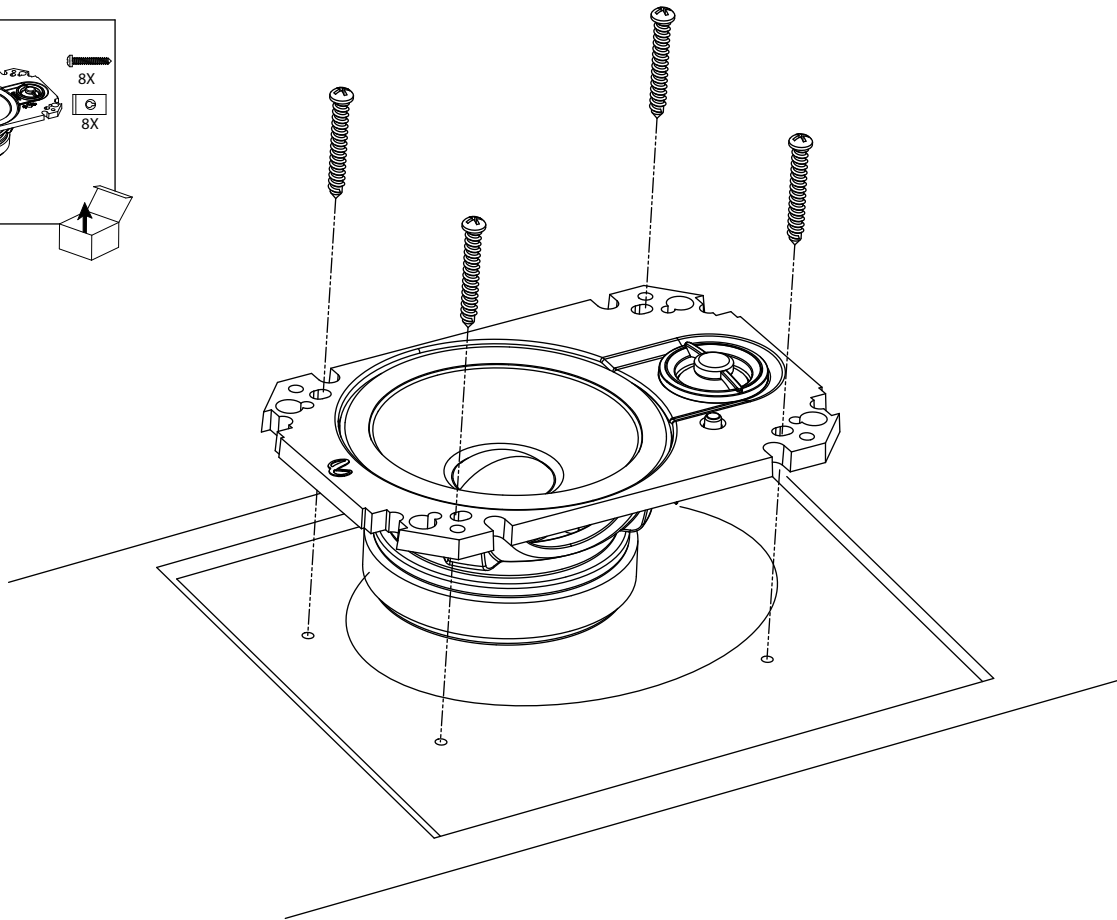
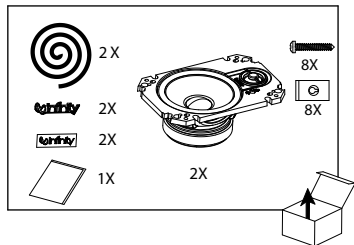
KAPPA 62ix, 93ix



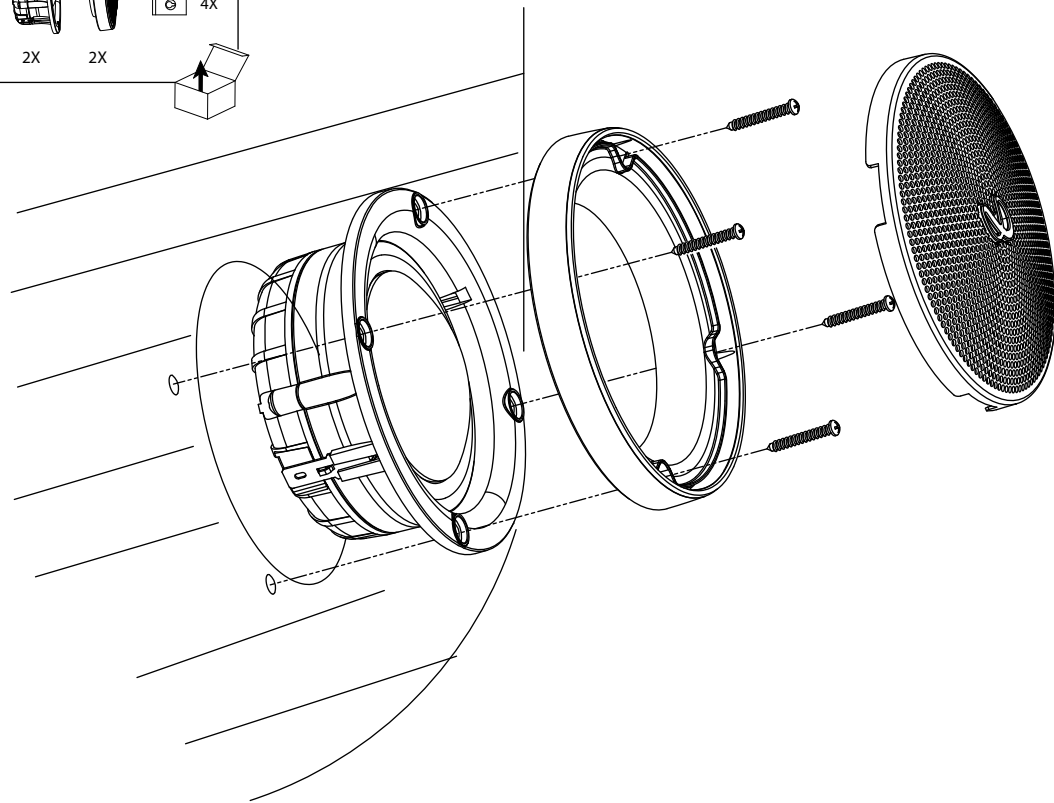
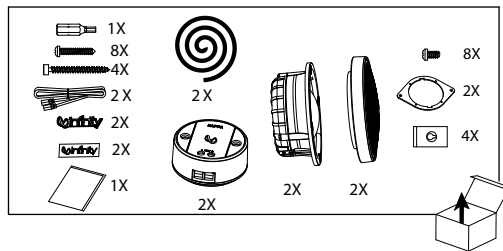
KAPPA 60csx, 90csx



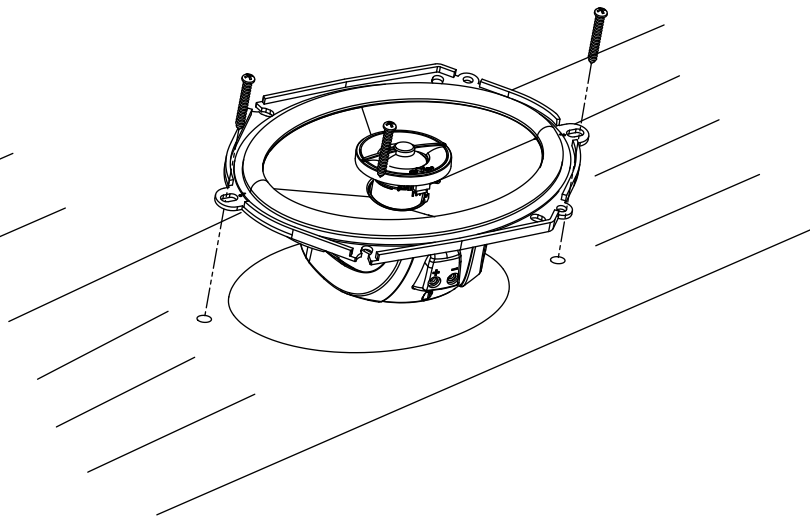
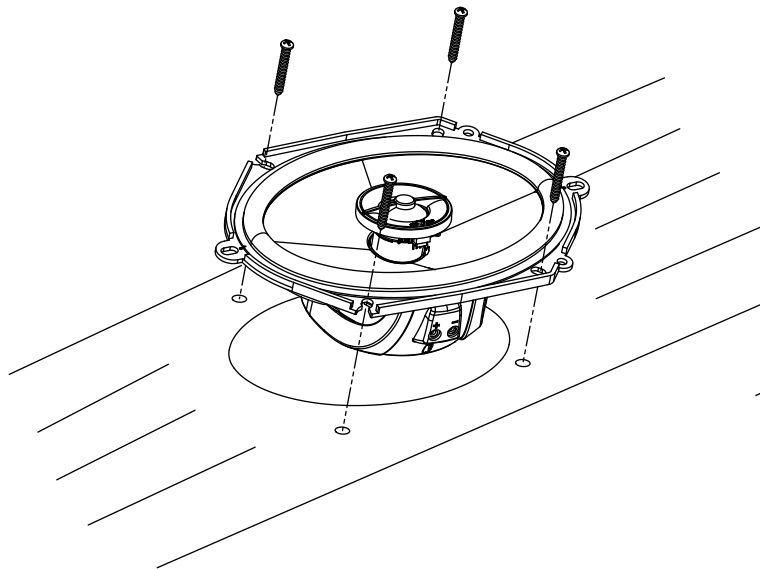
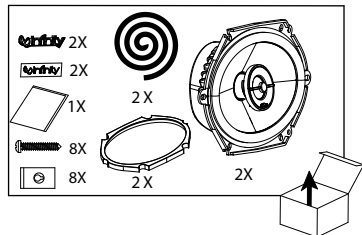
KAPPA 64cfx



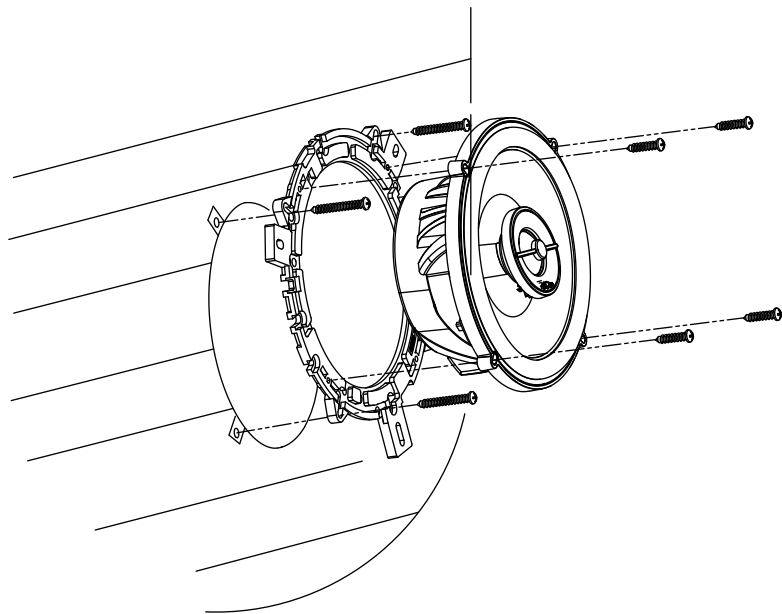
KAPPA 20mx



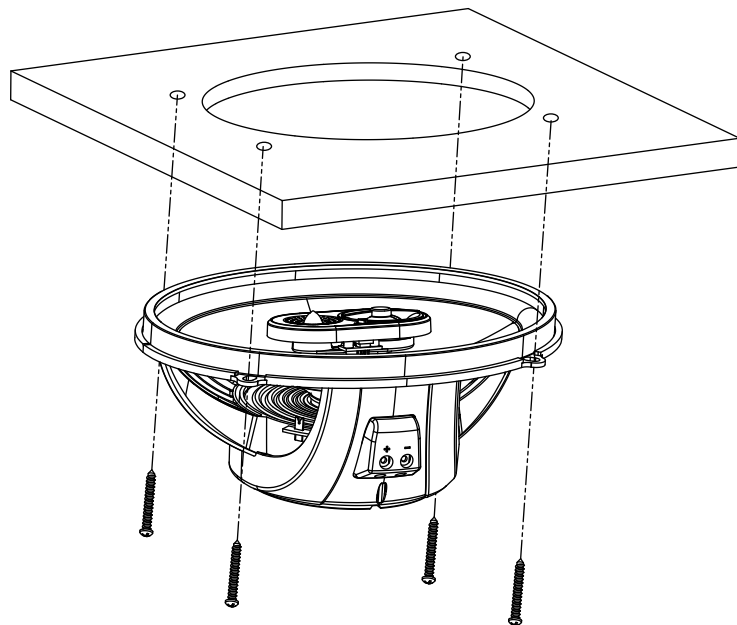
KAPPA 86cfx



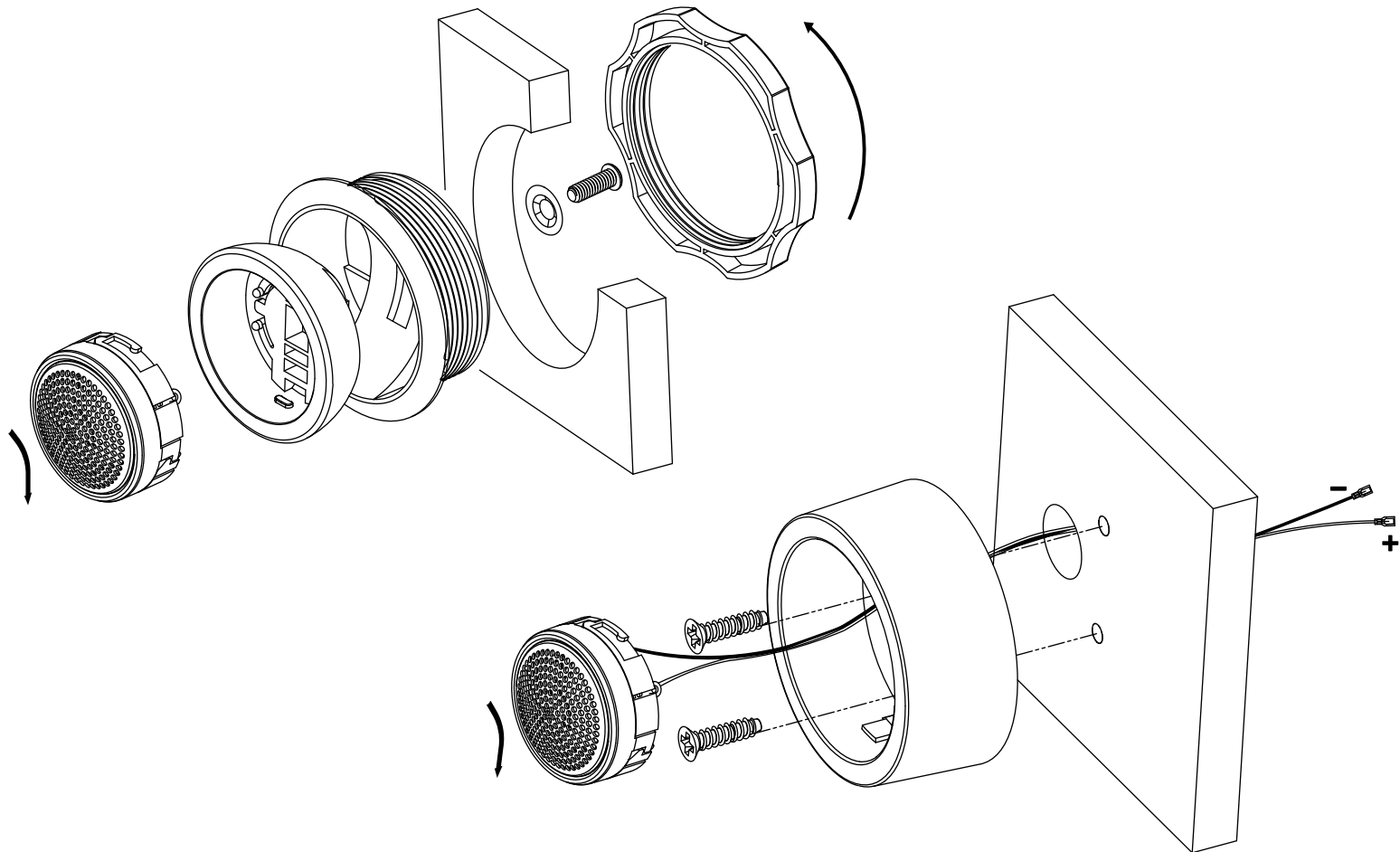
KAPPA 62ix, 60csx



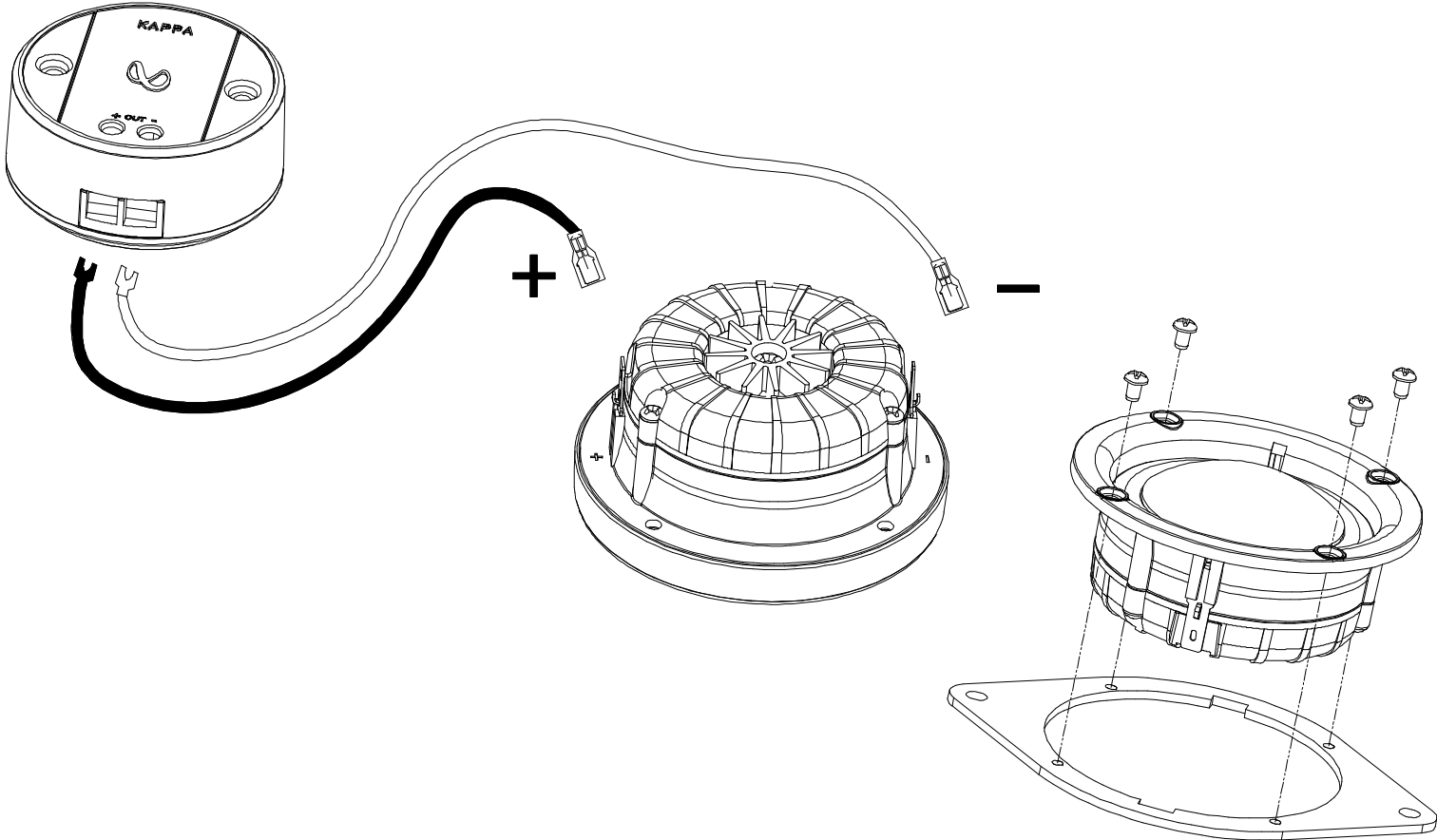
KAPPA 93ix, 90csx



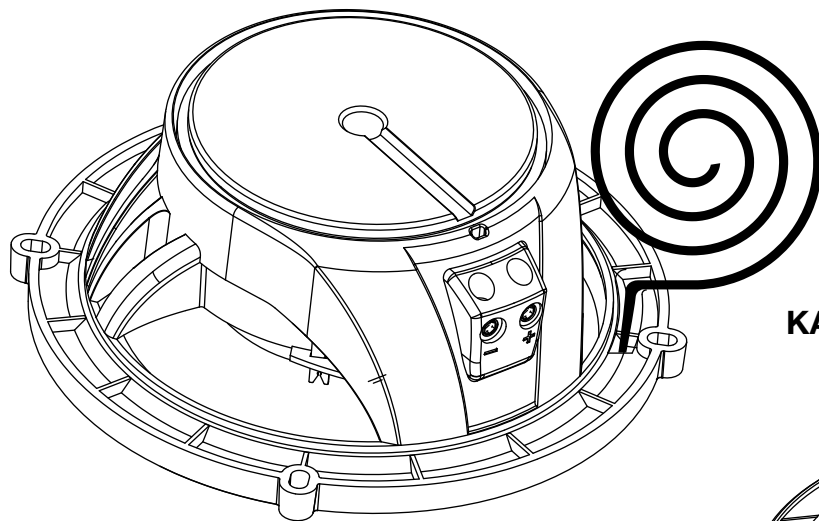
KAPPA 60csx, 90csx



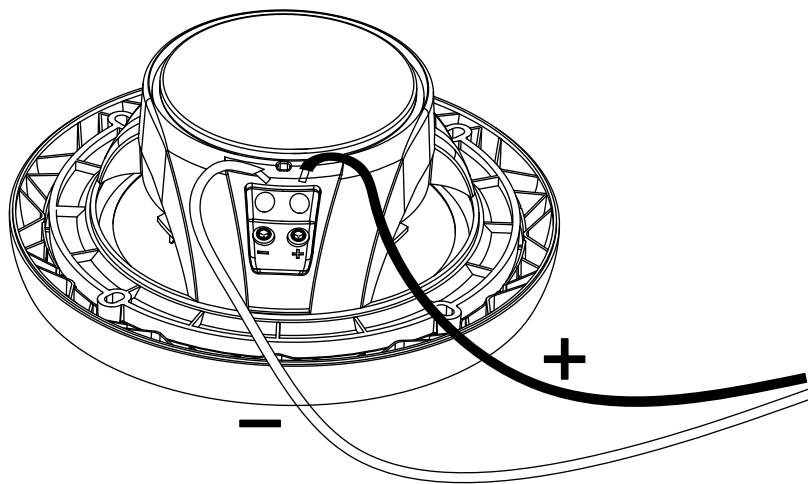
KAPPA 20mx



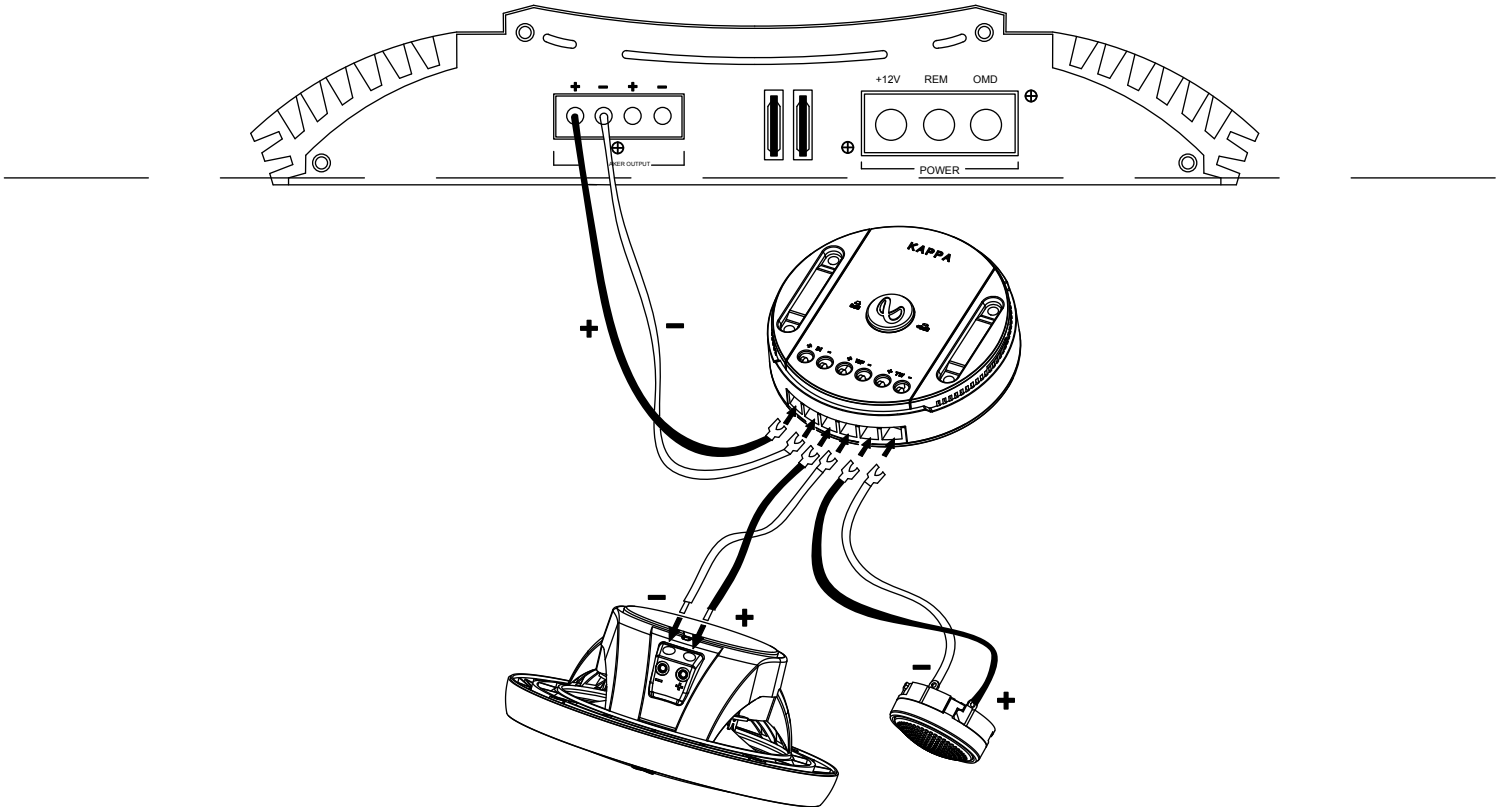
**KAPPA 62ix, 93ix, 86cfx, 20mx,
60csx, 90csx, 64cfx**



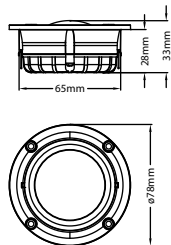
KAPPA 62ix, 93ix, 86cfx, 60csx, 90csx



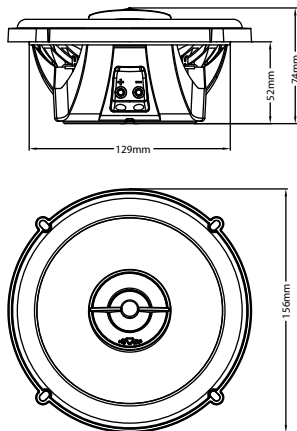
KAPPA 60csx, 90csx



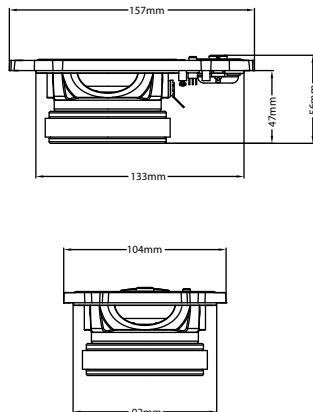
KAPPA 20mx



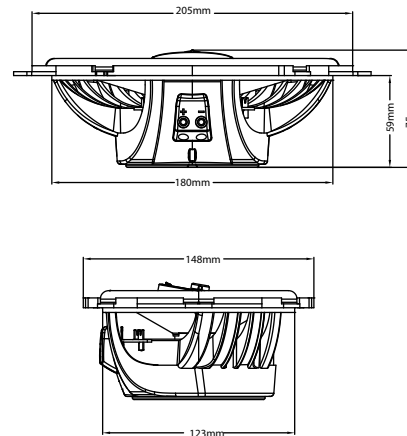
KAPPA 62ix



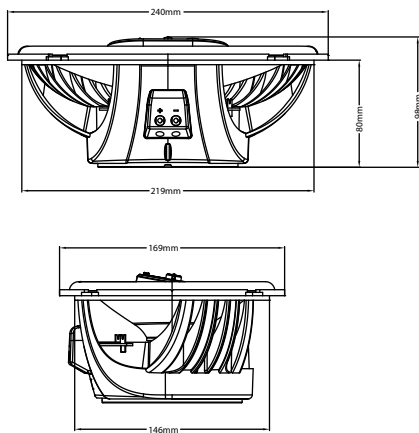
KAPPA 64cfx



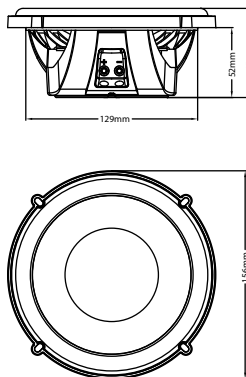
KAPPA 86cfx



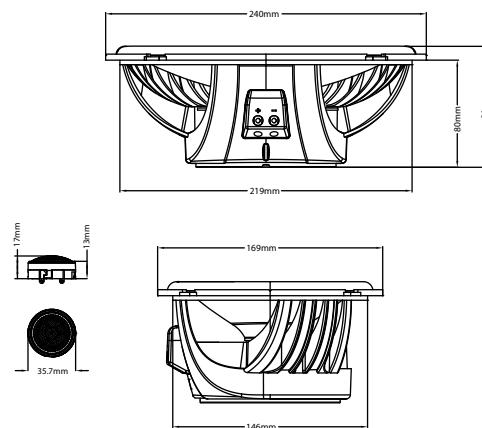
KAPPA 93ix



KAPPA 60csx



KAPPA 90csx



SPECIFICATIONS	Kappa 62ix	Kappa 93ix	Kappa 64cfx	Kappa 86cfx	Kappa 60csx	Kappa 90csx	Kappa 20mx
Type	6-1/2" (160mm) two-way car audio multielement speaker	6" x 9" three-way car audio multielement speaker	4" x 6" two-way car audio plate multielement	6" x 8" two-way car audio multielement speaker	6-1/2" (160mm) two-way car audio component system w/ gap-selectable crossover	6" x 9" two-way car audio component system w/ gap-selectable crossover	2" car audio dome midrange with bandpass crossover enclosure
Continuous power handling	75W	110W	60W	100W	100W	135W	65W
Peak power handling	225W	330W	180W	300W	300W	405W	195W
Frequency response	45Hz-25kHz	35Hz-30kHz	75Hz-25kHz	40Hz-25kHz	45Hz-35kHz	35Hz-35kHz	550Hz-7kHz
Nominal impedance	2.5 ohms	2.5 ohms	2.5 ohms	2.5 ohms	2.5 ohms	2.5 ohms	2.5 ohms
Sensitivity (2.83V/1m)	95dB	96dB	94dB	94dB	93dB	94dB	90dB
External diameter	6-1/8" (155.3mm)	9-1/2" x 6-11/16" (240.3mm x 168.7mm)	6-3/16" x 4-1/8" (157mm x 104mm)	9-1/16" x 5-7/8" (229mm x 147.7mm)	6-1/8" (155.3mm)	9-1/2" x 6-11/16" (240.3mm x 168.7mm)	3-1/16" (77.6mm)
Mounting cutout diameter	5-1/8" (128.8mm)	5-3/4" x 8-5/8" (146mm x 219mm)	3-5/8" x 5-1/4" (92mm x 133.2mm)	4-7/8" x 7-1/8" (123mm x 180mm)	5-1/8" (128.8mm)	5-3/4" x 8-5/8" (146mm x 219mm)	2-5/8" (65.4mm)
Total depth	3" (74.1mm)	3-7/8" (97.7mm)	2-5/16" (56.4mm)	3-1/16" (75.1mm)	2-3/4" (66.8mm)	3-7/8" (97.7mm)	1-3/8" (33.4mm)
Mounting depth	2-1/8" (52.4mm)	3-3/16" (80.3mm)	1-7/8" (46.6mm)	2-3/8" (58.8mm)	2-1/8" (52.4mm)	3-3/16" (80.3mm)	1-1/8" (27.6mm)

SPECIFICATIONS	Kappa 62ix	Kappa 93ix	Kappa 64cfx	Kappa 86cfx	Kappa 60csx	Kappa 90csx	Kappa 20mx
BL (Tm)	4.00	5.93	2.97	4.33	4.25	5.94	4.52
DCR (ohms)	2.30	2.30	2.30	2.30	2.30	2.30	2.30
Mms (g)	11.96	24.57	5.27	17.00	13.55	25.78	1.50
Sd (cm ²)	132.73	227.37	54.11	164.88	132.73	227.37	19.63
Cms (µm/N)	378.00	339.00	284.00	306.00	301.00	316.00	42.00
Vas (l)	9.36	24.64	1.17	11.67	7.45	22.91	0.02
Fs (Hz)	75.00	55.00	130.00	68.00	78.00	55.00	635.00
Qes	0.79	0.54	1.09	0.90	0.85	0.58	0.72
Qms	6.81	8.39	5.03	3.89	8.39	8.42	6.50
Qts	0.70	0.50	0.90	0.73	0.77	0.54	0.64
Crossover Point	5.5kHz	4.5kHz	5.0kHz	4.5kHz	5.7kHz	5.0kHz	500Hz/6.5kHz

SPÉCIFICATIONS	Kappa 62ix	Kappa 93ix	Kappa 64cfx	Kappa 86cfx	Kappa 60csx	Kappa 90csx	Kappa 20mx
Type	Haut-parleur multi-éléments audio automobile deux voies de 160 mm (6-1/2")	Haut-parleur multi-éléments audio automobile trois voies 152 mm x 229 mm (6" x 9")	Plaque multi-éléments audio automobile deux voies 101 mm x 229 mm (4" x 6")	Haut-parleur multi-éléments audio automobile deux voies 152 mm x 203 mm (6" x 8")	Kit éclaté audio automobile deux voies de 160 mm (6-1/2") avec filtre sélectionnable	Kit éclaté audio automobile deux voies de 152 mm x 229 mm (6" x 9") avec filtre sélectionnable	Médium audio automobile à dôme de 51 mm (2") avec un filtre passe-bande
Puissance admissible continue	75W	110W	60W	100W	100W	135W	65W
Puissance admissible crête	225W	330W	180W	300W	300W	405W	195W
Réponse en fréquence	45Hz-25kHz	35Hz-30kHz	75Hz-25kHz	40Hz-25kHz	45Hz-35kHz	35Hz-35kHz	550Hz-7kHz
Impédance nominale	2.5 ohms	2.5 ohms	2.5 ohms	2.5 ohms	2.5 ohms	2.5 ohms	2.5 ohms
Sensibilité (2.83V/1m)	95dB	96dB	94dB	94dB	93dB	94dB	90dB
Diamètre externe	6-1/8" (155.3mm)	9-1/2" x 6-11/16" (240.3mm x 168.7mm)	6-3/16" x 4-1/8" (157mm x 104mm)	9-1/16" x 5-7/8" (229mm x 147.7mm)	6-1/8" (155.3mm)	9-1/2" x 6-11/16" (240.3mm x 168.7mm)	3-1/16" (77.6mm)
Diamètre de découpe de montage	5-1/8" (128.8mm)	5-3/4" x 8-5/8" (146mm x 219mm)	3-5/8" x 5-1/4" (92mm x 133.2mm)	4-7/8" x 7-1/8" (123mm x 180mm)	5-1/8" (128.8mm)	5-3/4" x 8-5/8" (146mm x 219mm)	2-5/8" (65.4mm)
Profondeur totale	3" (74.1mm)	3-7/8" (97.7mm)	2-5/16" (56.4mm)	3-1/16" (75.1mm)	2-3/4" (66.8mm)	3-7/8" (97.7mm)	1-3/8" (33.4mm)
Profondeur de montage	2-1/8" (52.4mm)	3-3/16" (80.3mm)	1-7/8" (46.6mm)	2-3/8" (58.8mm)	2-1/8" (52.4mm)	3-3/16" (80.3mm)	1-1/8" (27.6mm)

ESPECIFICACIONES	Kappa 62ix	Kappa 93ix	Kappa 64cfx	Kappa 86cfx	Kappa 60csx	Kappa 90csx	Kappa 20mx
Tipo	Altavoz multi elemento de 6-1/2" (160 mm) de dos vías para automóvil	Altavoz multi elemento de tres vías de 6" x 9" para automóvil	Placa multi elemento de 4" x 6" de dos vías para audio de automóvil	Altavoz multi elemento de 6" x 6" de dos vías para automóvil	Sistema de componentes de audio de 6-1/2" (160 mm) de dos vías para automóvil con corte de frecuencias de rango seleccionable	Sistema de componentes de audio de 6" x 9" de dos vías para automóvil con corte de frecuencias de rango seleccionable	Domo de gama media de 2" para audio de automóvil con caja de corte de frecuencias pasabanda
Gestión de potencia máxima continua	75W	110W	60W	100W	100W	135W	65W
Gestión de potencia pico	225W	330W	180W	300W	300W	405W	195W
Intervalo de frecuencias	45Hz-25kHz	35Hz-30kHz	75Hz-25kHz	40Hz-25kHz	45Hz-35kHz	35Hz-35kHz	550Hz-7kHz
Impedancia nominal	2.5 ohms	2.5 ohms	2.5 ohms	2.5 ohms	2.5 ohms	2.5 ohms	2.5 ohms
Sensibilidad (2.83V/1m)	95dB	96dB	94dB	94dB	93dB	94dB	90dB
Diámetro externo	6-1/8" (155.3mm)	9-1/2" x 6-11/16" (240.3mm x 168.7mm)	6-3/16" x 4-1/8" (157mm x 104mm)	9-1/16" x 5-7/8" (229mm x 147.7mm)	6-1/8" (155.3mm)	9-1/2" x 6-11/16" (240.3mm x 168.7mm)	3-1/16" (77.6mm)
Diámetro de corte para montaje	5-1/8" (128.8mm)	5-3/4" x 8-5/8" (146mm x 219mm)	3-5/8" x 5-1/4" (92mm x 133.2mm)	4-7/8" x 7-1/8" (123mm x 180mm)	5-1/8" (128.8mm)	5-3/4" x 8-5/8" (146mm x 219mm)	2-5/8" (65.4mm)
Profundidad total	3" (74.1mm)	3-7/8" (97.7mm)	2-5/16" (56.4mm)	3-1/16" (75.1mm)	2-3/4" (66.8mm)	3-7/8" (97.7mm)	1-3/8" (33.4mm)
Profundidad de montaje	2-1/8" (52.4mm)	3-3/16" (80.3mm)	1-7/8" (46.6mm)	2-3/8" (58.8mm)	2-1/8" (52.4mm)	3-3/16" (80.3mm)	1-1/8" (27.6mm)

ESPECIFICAÇÕES	Kappa 62ix	Kappa 93ix	Kappa 64cfx	Kappa 86cfx	Kappa 60csx	Kappa 90csx	Kappa 20mx
Tipo	Alto-falante automotivo coaxial de 6-1/2" (160 mm)	Alto-falante automotivo triaxial de 6" x 9"	Alto-falante automotivo coaxial de 4" x 6"	Alto-falante automotivo coaxial de 6" x 8"	Sistema de som automotivo duas vias de 6-1/2" (160mm) com crossover ajustável	Sistema de som automotivo duas vias de 6" x 9" com crossover ajustável	Midrange automotivo de 2" com gabinete de crossover
Potência contínua máxima	75W	110W	60W	100W	100W	135W	65W
Potência máxima de pico	225W	330W	180W	300W	300W	405W	195W
Resposta de frequência	45Hz-25kHz	35Hz-30kHz	75Hz-25kHz	40Hz-25kHz	45Hz-35kHz	35Hz-35kHz	550Hz-7kHz
Impedância nominal	2.5 ohms	2.5 ohms	2.5 ohms	2.5 ohms	2.5 ohms	2.5 ohms	2.5 ohms
Sensibilidade (2.83V/1m)	95dB	96dB	94dB	94dB	93dB	94dB	90dB
Diâmetro externo	6-1/8" (155.3mm)	9-1/2" x 6-11/16" (240.3mm x 168.7mm)	6-3/16" x 4-1/8" (157mm x 104mm)	9-1/16" x 5-7/8" (229mm x 147.7mm)	6-1/8" (155.3mm)	9-1/2" x 6-11/16" (240.3mm x 168.7mm)	3-1/16" (77.6mm)
Diâmetro do corte de montagem	5-1/8" (128.8mm)	5-3/4" x 8-5/8" (146mm x 219mm)	3-5/8" x 5-1/4" (92mm x 133.2mm)	4-7/8" x 7-1/8" (123mm x 180mm)	5-1/8" (128.8mm)	5-3/4" x 8-5/8" (146mm x 219mm)	2-5/8" (65.4mm)
Profundidade total	3" (74.1mm)	3-7/8" (97.7mm)	2-5/16" (56.4mm)	3-1/16" (75.1mm)	2-3/4" (66.8mm)	3-7/8" (97.7mm)	1-3/8" (33.4mm)
Profundidade de montagem	2-1/8" (52.4mm)	3-3/16" (80.3mm)	1-7/8" (46.6mm)	2-3/8" (58.8mm)	2-1/8" (52.4mm)	3-3/16" (80.3mm)	1-1/8" (27.6mm)

TECHNISCHE DATEN	Kappa 62ix	Kappa 93ix	Kappa 64cfx	Kappa 86cfx	Kappa 60csx	Kappa 90csx	Kappa 20mx
Typ	6,5" (160 mm) Zweibege-Mehrkomponenten-Lautsprecher für Autos	6" x 9" Dreibege-Mehrkomponenten-Lautsprecher für Autos	4" x 6" Zweibege-Multikomponenten-Platte für ein Audiosystem im Auto	6" x 8" Zweibege-Multikomponenten-Lautsprecher für Autos	6,5" (160 mm) Zweibege-Komponentensystem für Autos mit einstellbarer Frequenzweiche	6" x 9" Zweibege-Komponentensystem für Autos mit einstellbarer Frequenzweiche	2" Kalotten-Mitteltoner für Autos mit Bandpass/Frequenzweichen-Gehäuse
Kontinuierliche Leistung	75W	110W	60W	100W	100W	135W	65W
Spitzenleistung	225W	330W	180W	300W	300W	405W	195W
Frequenzbereich	45Hz-25kHz	35Hz-30kHz	75Hz-25kHz	40Hz-25kHz	45Hz-35kHz	35Hz-35kHz	550Hz-7kHz
Nennimpedanz	2.5 ohms	2.5 ohms	2.5 ohms	2.5 ohms	2.5 ohms	2.5 ohms	2.5 ohms
Empfindlichkeit (2.83V/1m)	95dB	96dB	94dB	94dB	93dB	94dB	90dB
Äußerer Durchmesser	6-1/8" (155.3mm)	9-1/2" x 6-11/16" (240.3mm x 168.7mm)	6-3/16" x 4-1/8" (157mm x 104mm)	9-1/16" x 5-7/8" (229mm x 147.7mm)	6-1/8" (155.3mm)	9-1/2" x 6-11/16" (240.3mm x 168.7mm)	3-1/16" (77.6mm)
Montageausschnitt-Durchmesser	5-1/8" (128.8mm)	5-3/4" x 8-5/8" (146mm x 219mm)	3-5/8" x 5-1/4" (92mm x 133.2mm)	4-7/8" x 7-1/8" (123mm x 180mm)	5-1/8" (128.8mm)	5-3/4" x 8-5/8" (146mm x 219mm)	2-5/8" (65.4mm)
Gesamtiefe	3" (74.1mm)	3-7/8" (97.7mm)	2-5/16" (56.4mm)	3-1/16" (75.1mm)	2-3/4" (66.8mm)	3-7/8" (97.7mm)	1-3/8" (33.4mm)
Montagetiefe	2-1/8" (52.4mm)	3-3/16" (80.3mm)	1-7/8" (46.6mm)	2-3/8" (58.8mm)	2-1/8" (52.4mm)	3-3/16" (80.3mm)	1-1/8" (27.6mm)

SPECIFICHE	Kappa 62ix	Kappa 93ix	Kappa 64cfx	Kappa 86cfx	Kappa 60csx	Kappa 90csx	Kappa 20mx
Descrizione	Diffusore car audio coassiale a due vie da 6-1/2" (160mm)	Diffusore car audio coassiale a tre vie 6" x 9"	Diffusore car audio coassiale a due vie da 4" x 6"	Diffusore car audio coassiale a due vie 6" x 8"	Sistema car audio a componenti a due vie da 6-1/2" (160mm) con crossover selezionabile	Sistema car audio a componenti a due vie da 6" x 9" con crossover selezionabile	Midrange car audio a cupola da 2" con enclosure crossover passabanda
Tenuta in potenza continua	75W	110W	60W	100W	100W	135W	65W
Tenuta in potenza, picco	225W	330W	180W	300W	300W	405W	195W
Risposta in frequenza	45Hz-25kHz	35Hz-30kHz	75Hz-25kHz	40Hz-25kHz	45Hz-35kHz	35Hz-35kHz	550Hz-7kHz
Impedenza nominale	2.5 ohms	2.5 ohms	2.5 ohms	2.5 ohms	2.5 ohms	2.5 ohms	2.5 ohms
Sensibilità (2.83V/1m)	95dB	96dB	94dB	94dB	93dB	94dB	90dB
Diametro esterno	6-1/8" (155.3mm)	9-1/2" x 6-11/16" (240.3mm x 168.7mm)	6-3/16" x 4-1/8" (157mm x 104mm)	9-1/16" x 5-7/8" (229mm x 147.7mm)	6-1/8" (155.3mm)	9-1/2" x 6-11/16" (240.3mm x 168.7mm)	3-1/16" (77.6mm)
Diametro foro per montaggio	5-1/8" (128.8mm)	5-3/4" x 8-5/8" (146mm x 219mm)	3-5/8" x 5-1/4" (92mm x 133.2mm)	4-7/8" x 7-1/8" (123mm x 180mm)	5-1/8" (128.8mm)	5-3/4" x 8-5/8" (146mm x 219mm)	2-5/8" (65.4mm)
Profondità totale	3" (74.1mm)	3-7/8" (97.7mm)	2-5/16" (56.4mm)	3-1/16" (75.1mm)	2-3/4" (66.8mm)	3-7/8" (97.7mm)	1-3/8" (33.4mm)
Profondità di montaggio	2-1/8" (52.4mm)	3-3/16" (80.3mm)	1-7/8" (46.6mm)	2-3/8" (58.8mm)	2-1/8" (52.4mm)	3-3/16" (80.3mm)	1-1/8" (27.6mm)

Italian

SPECIFICATIES	Kappa 62ix	Kappa 93ix	Kappa 64cfx	Kappa 86cfx	Kappa 60csx	Kappa 90csx	Kappa 20mx
Type	6-1/2" (160mm) coaxiale auto luidspreker	6" x 9" 3-weg auto luidspreker	4" x 6" coaxiale auto luidspreker	6" x 8" coaxiale auto luidspreker	6-1/2" (160mm) 2-weg auto luidspreker componentsysteem met selectabele crossover	6" x 9" 3-weg auto luidspreker componentsysteem met selectabele crossover	2" dome midrange auto luidspreker met bandpass crossover behuizing
Piekvermogen	75W	110W	60W	100W	100W	135W	65W
Piekvermogen	225W	330W	180W	300W	300W	405W	195W
Frequentiebereik	45Hz-25kHz	35Hz-30kHz	75Hz-25kHz	40Hz-25kHz	45Hz-35kHz	35Hz-35kHz	550Hz-7kHz
Nominale impedantie	2.5 ohms	2.5 ohms	2.5 ohms	2.5 ohms	2.5 ohms	2.5 ohms	2.5 ohms
Gevoeligheid (2.83V/1m)	95dB	96dB	94dB	94dB	93dB	94dB	90dB
Externe diameter	6-1/8" (155.3mm)	9-1/2" x 6-11/16" (240.3mm x 168.7mm)	6-3/16" x 4-1/8" (157mm x 104mm)	9-1/16" x 5-7/8" (229mm x 147.7mm)	6-1/8" (155.3mm)	9-1/2" x 6-11/16" (240.3mm x 168.7mm)	3-1/16" (77.6mm)
Diameter inbouw	5-1/8" (128.8mm)	5-3/4" x 8-5/8" (146mm x 219mm)	3-5/8" x 5-1/4" (92mm x 133.2mm)	4-7/8" x 7-1/8" (123mm x 180mm)	5-1/8" (128.8mm)	5-3/4" x 8-5/8" (146mm x 219mm)	2-5/8" (65.4mm)
Totaal diepte	3" (74.1mm)	3-7/8" (97.7mm)	2-5/16" (56.4mm)	3-1/16" (75.1mm)	2-3/4" (66.8mm)	3-7/8" (97.7mm)	1-3/8" (33.4mm)
Inbouwdiepte	2-1/8" (52.4mm)	3-3/16" (80.3mm)	1-7/8" (46.6mm)	2-3/8" (58.8mm)	2-1/8" (52.4mm)	3-3/16" (80.3mm)	1-1/8" (27.6mm)

Dutch

TEKNISET TIEDOT	Kappa 62ix	Kappa 93ix	Kappa 64cfx	Kappa 86cfx	Kappa 60csx	Kappa 90csx	Kappa 20mx
Tyyppi	6-1/2" (160mm) monielementtinen kaksite-autokaiutin	6" x 9" monielementtinen kolmitie-autokaiutin	4" x 6" monielementtinen kaksite-autokaiutintaso	6" x 8" monielementtinen kaksite-autokaiutin	6-1/2" (160mm) kaksite autokaiutinkomponenttijärjestelmä valinnaisella jakotaaajuudella	6" x 9" kaksite autokaiutinkomponenttijärjestelmä valinnaisella jakotaaajuudella	2" keskialueen kalottiatokaiutin kaistanpäästö-jakosuodinkotelolla
Tehonkesto jatkuva	75W	110W	60W	100W	100W	135W	65W
Tehonkesto huippu	225W	330W	180W	300W	300W	405W	195W
Taajuusvaste	45Hz-25kHz	35Hz-30kHz	75Hz-25kHz	40Hz-25kHz	45Hz-35kHz	35Hz-35kHz	550Hz-7kHz
Nimellisimpedanssi	2.5 ohms	2.5 ohms	2.5 ohms	2.5 ohms	2.5 ohms	2.5 ohms	2.5 ohms
Herkkyys (2.83V/1m)	95dB	96dB	94dB	94dB	93dB	94dB	90dB
Ulkoinen halkaisija	6-1/8" (155.3mm)	9-1/2" x 6-11/16" (240.3mm x 168.7mm)	6-3/16" x 4-1/8" (157mm x 104mm)	9-1/16" x 5-7/8" (229mm x 147.7mm)	6-1/8" (155.3mm)	9-1/2" x 6-11/16" (240.3mm x 168.7mm)	3-1/16" (77.6mm)
Asennusaukon halkaisija	5-1/8" (128.8mm)	5-3/4" x 8-5/8" (146mm x 219mm)	3-5/8" x 5-1/4" (92mm x 133.2mm)	4-7/8" x 7-1/8" (123mm x 180mm)	5-1/8" (128.8mm)	5-3/4" x 8-5/8" (146mm x 219mm)	2-5/8" (65.4mm)
Kokonaissyvyys	3" (74.1mm)	3-7/8" (97.7mm)	2-5/16" (56.4mm)	3-1/16" (75.1mm)	2-3/4" (66.8mm)	3-7/8" (97.7mm)	1-3/8" (33.4mm)
Asennussyvyys	2-1/8" (52.4mm)	3-3/16" (80.3mm)	1-7/8" (46.6mm)	2-3/8" (58.8mm)	2-1/8" (52.4mm)	3-3/16" (80.3mm)	1-1/8" (27.6mm)

Finnish

ТЕХНИЧЕСКИЕ ХАРАКТЕРИСТИКИ	Карра 62ix	Карра 93ix	Карра 64cfx	Карра 86cfx	Карра 60cсx	Карра 90cсx	Карра 20mx
Тип	Двухсторонний многоэлементный автомобильный динамик 6-1/2" (160 мм)	Трехсторонний многоэлементный автомобильный динамик 6" x 9"	Двухсторонняя многоэлементная автомобильная аудиопанель 4" x 6"	Двухсторонний многоэлементный автомобильный динамик 6" x 8"	Двухсторонняя автомобильная компонентная аудиосистема с переключаемым разделительным фильтром 6-1/2" (160 мм)	Двухсторонняя автомобильная компонентная аудиосистема с переключаемым разделительным фильтром 6" x 9"	Автомобильный купольный СЧ-динамик с полосовым разделительным фильтром 2"
Постоянная мощность	75W	110W	60W	100W	100W	135W	65W
Пиковая мощность	225W	330W	180W	300W	300W	405W	195W
Эффективный рабочий диапазон частот	45Hz-25kHz	35Hz-30kHz	75Hz-25kHz	40Hz-25kHz	45Hz-35kHz	35Hz-35kHz	550Hz-7kHz
Номинальный импеданс	2.5 ohms	2.5 ohms	2.5 ohms	2.5 ohms	2.5 ohms	2.5 ohms	2.5 ohms
Чувствительность (2.83В/1м)	95dB	96dB	94dB	94dB	93dB	94dB	90dB
Внешний диаметр	6-1/8" (155.3mm)	9-1/2" x 6-11/16" (240.3mm x 168.7mm)	6-3/16" x 4-1/8" (157mm x 104mm)	9-1/16" x 5-7/8" (229mm x 147.7mm)	6-1/8" (155.3mm)	9-1/2" x 6-11/16" (240.3mm x 168.7mm)	3-1/16" (77.6mm)
Диаметр выемки для установки	5-1/8" (128.8mm)	5-3/4" x 8-5/8" (146mm x 219mm)	3-5/8" x 5-1/4" (92mm x 133.2mm)	4-7/8" x 7-1/8" (123mm x 180mm)	5-1/8" (128.8mm)	5-3/4" x 8-5/8" (146mm x 219mm)	2-5/8" (65.4mm)
Общая глубина	3" (74.1mm)	3-7/8" (97.7mm)	2-5/16" (56.4mm)	3-1/16" (75.1mm)	2-3/4" (66.8mm)	3-7/8" (97.7mm)	1-3/8" (33.4mm)
Глубина установки	2-1/8" (52.4mm)	3-3/16" (80.3mm)	1-7/8" (46.6mm)	2-3/8" (58.8mm)	2-1/8" (52.4mm)	3-3/16" (80.3mm)	1-1/8" (27.6mm)

Russian

SPECIFIKATIONER	Карра 62ix	Карра 93ix	Карра 64cfx	Карра 86cfx	Карра 60cсx	Карра 90cсx	Карра 20mx
Тип	6,5-tums (160 mm) tvåvägs bilstereohögtalare med multielement	6 x 9-tums tvåvägs bilstereohögtalare med multielement	4 x 6-tums tvåvägs bilstereohögtalare med multielement	6 x 8-tums tvåvägs bilstereohögtalare med multielement	6,5-tums (160 mm) tvåvägs bilstereokomponentsystem med justerbart delningsfilter	6 x 9-tums tvåvägs bilstereokomponentsystem med justerbart delningsfilter	2-tums bilstereomellanregister med dome-membran och bandpass-delningsfilter
Effekt (kontinuerlig)	75W	110W	60W	100W	100W	135W	65W
Effekt (peak)	225W	330W	180W	300W	300W	405W	195W
Frekvensomfång	45Hz-25kHz	35Hz-30kHz	75Hz-25kHz	40Hz-25kHz	45Hz-35kHz	35Hz-35kHz	550Hz-7kHz
Nominell impedans	2.5 ohms	2.5 ohms	2.5 ohms	2.5 ohms	2.5 ohms	2.5 ohms	2.5 ohms
Känslighet (2.83W/1m)	95dB	96dB	94dB	94dB	93dB	94dB	90dB
Ytterdiameter	6-1/8" (155.3mm)	9-1/2" x 6-11/16" (240.3mm x 168.7mm)	6-3/16" x 4-1/8" (157mm x 104mm)	9-1/16" x 5-7/8" (229mm x 147.7mm)	6-1/8" (155.3mm)	9-1/2" x 6-11/16" (240.3mm x 168.7mm)	3-1/16" (77.6mm)
Monteringshål	5-1/8" (128.8mm)	5-3/4" x 8-5/8" (146mm x 219mm)	3-5/8" x 5-1/4" (92mm x 133.2mm)	4-7/8" x 7-1/8" (123mm x 180mm)	5-1/8" (128.8mm)	5-3/4" x 8-5/8" (146mm x 219mm)	2-5/8" (65.4mm)
Totalt djup	3" (74.1mm)	3-7/8" (97.7mm)	2-5/16" (56.4mm)	3-1/16" (75.1mm)	2-3/4" (66.8mm)	3-7/8" (97.7mm)	1-3/8" (33.4mm)
Monteringsdjup	2-1/8" (52.4mm)	3-3/16" (80.3mm)	1-7/8" (46.6mm)	2-3/8" (58.8mm)	2-1/8" (52.4mm)	3-3/16" (80.3mm)	1-1/8" (27.6mm)

Swedish

SPECIFIKATIONER	Карра 62ix	Карра 93ix	Карра 64cfx	Карра 86cfx	Карра 60cсx	Карра 90cсx	Карра 20mx
Type	6-1/2" (160 mm) to-vejs multielement-højttaler til bilen	6" x 9" tre-vejs multielement-højttaler til bilen	4" x 6" to-vejs plade for multielement-højttaler til bilen	6" x 8" to-vejs multielement-højttaler til bilen	6-1/2" (160 mm) to-vejs lydkomponentsystem m/gap-valgbar crossover til bilen	6" x 9" to-vejs lydkomponentsystem m/gap-valgbar crossover til bilen	2" mellertonedome med båndpas crossover kabinet til bilen
Kontinuerlig effekthåndtering	75W	110W	60W	100W	100W	135W	65W
Spidsbelastning	225W	330W	180W	300W	300W	405W	195W
Frekvensområde	45Hz-25kHz	35Hz-30kHz	75Hz-25kHz	40Hz-25kHz	45Hz-35kHz	35Hz-35kHz	550Hz-7kHz
Nominel impedans	2.5 ohms	2.5 ohms	2.5 ohms	2.5 ohms	2.5 ohms	2.5 ohms	2.5 ohms
Følsomhed (2.83W/1m)	95dB	96dB	94dB	94dB	93dB	94dB	90dB
Udvendig diameter	6-1/8" (155.3mm)	9-1/2" x 6-11/16" (240.3mm x 168.7mm)	6-3/16" x 4-1/8" (157mm x 104mm)	9-1/16" x 5-7/8" (229mm x 147.7mm)	6-1/8" (155.3mm)	9-1/2" x 6-11/16" (240.3mm x 168.7mm)	3-1/16" (77.6mm)
Diometer for monteringsudskæring	5-1/8" (128.8mm)	5-3/4" x 8-5/8" (146mm x 219mm)	3-5/8" x 5-1/4" (92mm x 133.2mm)	4-7/8" x 7-1/8" (123mm x 180mm)	5-1/8" (128.8mm)	5-3/4" x 8-5/8" (146mm x 219mm)	2-5/8" (65.4mm)
Samlet dybde	3" (74.1mm)	3-7/8" (97.7mm)	2-5/16" (56.4mm)	3-1/16" (75.1mm)	2-3/4" (66.8mm)	3-7/8" (97.7mm)	1-3/8" (33.4mm)
Monteringsdybde	2-1/8" (52.4mm)	3-3/16" (80.3mm)	1-7/8" (46.6mm)	2-3/8" (58.8mm)	2-1/8" (52.4mm)	3-3/16" (80.3mm)	1-1/8" (27.6mm)

Danish

仕様書	Kappa 62ix	Kappa 93ix	Kappa 64cfx	Kappa 86cfx	Kappa 60csx	Kappa 90csx	Kappa 20mx
型	6-1/2インチ(160mm) 車載用 2ウェイ・マルチエレメント・スピーカー	6x9インチ車載用3ウェイ・マルチエレメント・スピーカー	4x6インチ車載用2ウェイ・プレート・マルチエレメント	6x8インチ車載用2ウェイ・マルチエレメント・スピーカー	ギャップ・セクタブル・クロスオーバーを備えた6-1/2インチ(160mm)車載用2ウェイ・コンポーネントシステム	ギャップ・セクタブル・クロスオーバーを備えた6x9インチ 車載用 2ウェイ・コンポーネントシステム	バンドパス・クロスオーバー・エンクロージャーを備えた2インチ車載用ドーム・ミッドレンジ
連続許容入力	75W	110W	60W	100W	100W	135W	65W
ピーク許容入力	225W	330W	180W	300W	300W	405W	195W
周波数特性	45Hz-25kHz	35Hz-30kHz	75Hz-25kHz	40Hz-25kHz	45Hz-35kHz	35Hz-35kHz	550Hz-7kHz
公称インピーダンス	2.5 ohms	2.5 ohms	2.5 ohms	2.5 ohms	2.5 ohms	2.5 ohms	2.5 ohms
感度(2.83V/1m)	95dB	96dB	94dB	94dB	93dB	94dB	90dB
外部直径	6-1/8" (155.3mm)	9-1/2" x 6-11/16" (240.3mm x 168.7mm)	6-3/16" x 4-1/8" (157mm x 104mm)	9-1/16" x 5-7/8" (229mm x 147.7mm)	6-1/8" (155.3mm)	9-1/2" x 6-11/16" (240.3mm x 168.7mm)	3-1/16" (77.6mm)
取り付けカットアウト直径	5-1/8" (128.8mm)	5-3/4" x 8-5/8" (146mm x 219mm)	3-5/8" x 5-1/4" (92mm x 133.2mm)	4-7/8" x 7-1/8" (123mm x 180mm)	5-1/8" (128.8mm)	5-3/4" x 8-5/8" (146mm x 219mm)	2-5/8" (65.4mm)
トータルの寸法	3" (74.1mm)	3-7/8" (97.7mm)	2-5/16" (56.4mm)	3-1/16" (75.1mm)	2-3/4" (66.8mm)	3-7/8" (97.7mm)	1-3/8" (33.4mm)
埋め込み寸法	2-1/8" (52.4mm)	3-3/16" (80.3mm)	1-7/8" (46.6mm)	2-3/8" (58.8mm)	2-1/8" (52.4mm)	3-3/16" (80.3mm)	1-1/8" (27.6mm)

Japanese

DANE TECHNICZNE	Kappa 62ix	Kappa 93ix	Kappa 64cfx	Kappa 86cfx	Kappa 60csx	Kappa 90csx	Kappa 20mx
Rodzaj	Dwudrożny samochodowy głośnik komponentowy 6-1/2" (160 mm)	Trójdrożny samochodowy głośnik komponentowy 6" x 9"	Dwudrożny samochodowy głośnik komponentowy 4" x 6"	Dwudrożny samochodowy głośnik komponentowy 6" x 8"	Dwudrożny samochodowy system komponentowy 6-1/2" (160 mm) z możliwością zmiany ustawienia zwrotnicy	Dwudrożny samochodowy system komponentowy 6" x 9" z możliwością zmiany ustawienia zwrotnicy	Średniotonowy głośnik kopułowy 2" ze zwrotnicą w obudowie pasmowo-przepustowej
Moc (ciągła)	75W	110W	60W	100W	100W	135W	65W
Moc (szczytowa)	225W	330W	180W	300W	300W	405W	195W
Pasma przenoszenia	45Hz-25kHz	35Hz-30kHz	75Hz-25kHz	40Hz-25kHz	45Hz-35kHz	35Hz-35kHz	550Hz-7kHz
Impedancja znamionowa	2.5 ohms	2.5 ohms	2.5 ohms	2.5 ohms	2.5 ohms	2.5 ohms	2.5 ohms
Efektywność (2.83V/1m)	95dB	96dB	94dB	94dB	93dB	94dB	90dB
Średnica zewnętrzna	6-1/8" (155.3mm)	9-1/2" x 6-11/16" (240.3mm x 168.7mm)	6-3/16" x 4-1/8" (157mm x 104mm)	9-1/16" x 5-7/8" (229mm x 147.7mm)	6-1/8" (155.3mm)	9-1/2" x 6-11/16" (240.3mm x 168.7mm)	3-1/16" (77.6mm)
Średnica wneli domontażu	5-1/8" (128.8mm)	5-3/4" x 8-5/8" (146mm x 219mm)	3-5/8" x 5-1/4" (92mm x 133.2mm)	4-7/8" x 7-1/8" (123mm x 180mm)	5-1/8" (128.8mm)	5-3/4" x 8-5/8" (146mm x 219mm)	2-5/8" (65.4mm)
Całkowita głębokość	3" (74.1mm)	3-7/8" (97.7mm)	2-5/16" (56.4mm)	3-1/16" (75.1mm)	2-3/4" (66.8mm)	3-7/8" (97.7mm)	1-3/8" (33.4mm)
Głębokość montażowa	2-1/8" (52.4mm)	3-3/16" (80.3mm)	1-7/8" (46.6mm)	2-3/8" (58.8mm)	2-1/8" (52.4mm)	3-3/16" (80.3mm)	1-1/8" (27.6mm)

Polish

사양	Kappa 62ix	Kappa 93ix	Kappa 64cfx	Kappa 86cfx	Kappa 60csx	Kappa 90csx	Kappa 20mx
타입	6-1/2인치(160mm) 양방향 카오디오 멀티 엘리먼트 스피커	6 x 9인치 3방향 카 오디오 멀티 엘리먼트 스피커	4 x 6인치 양방향 카 오디오 플레이트 멀티 엘리먼트	6 x 8인치 양방향 카 오디오 멀티 엘리먼트 스피커	간격을 선택할 수 있는 크로스오버를 갖춘 6-1/2인치(160mm) 양방향 카 오디오 컴포넌트 시스템	간격을 선택할 수 있는 크로스오버를 갖춘 6 x 9인치 양방향 카 오디오 컴포넌트 시스템	밴드패스 크로스오버 인클로저가 있는 2인치 카오디오 돔 미드레인지
연속 파워 핸들링	75W	110W	60W	100W	100W	135W	65W
최대 파워 핸들링	225W	330W	180W	300W	300W	405W	195W
주파수 응답	45Hz-25kHz	35Hz-30kHz	75Hz-25kHz	40Hz-25kHz	45Hz-35kHz	35Hz-35kHz	550Hz-7kHz
공칭 임피던스	2.5 ohms	2.5 ohms	2.5 ohms	2.5 ohms	2.5 ohms	2.5 ohms	2.5 ohms
민감도 (2.83V/1m)	95dB	96dB	94dB	94dB	93dB	94dB	90dB
외경	6-1/8" (155.3mm)	9-1/2" x 6-11/16" (240.3mm x 168.7mm)	6-3/16" x 4-1/8" (157mm x 104mm)	9-1/16" x 5-7/8" (229mm x 147.7mm)	6-1/8" (155.3mm)	9-1/2" x 6-11/16" (240.3mm x 168.7mm)	3-1/16" (77.6mm)
장착 컷아웃 직경	5-1/8" (128.8mm)	5-3/4" x 8-5/8" (146mm x 219mm)	3-5/8" x 5-1/4" (92mm x 133.2mm)	4-7/8" x 7-1/8" (123mm x 180mm)	5-1/8" (128.8mm)	5-3/4" x 8-5/8" (146mm x 219mm)	2-5/8" (65.4mm)
총 깊이	3" (74.1mm)	3-7/8" (97.7mm)	2-5/16" (56.4mm)	3-1/16" (75.1mm)	2-3/4" (66.8mm)	3-7/8" (97.7mm)	1-3/8" (33.4mm)
장착 깊이	2-1/8" (52.4mm)	3-3/16" (80.3mm)	1-7/8" (46.6mm)	2-3/8" (58.8mm)	2-1/8" (52.4mm)	3-3/16" (80.3mm)	1-1/8" (27.6mm)

Korean

规格	Kappa 62ix	Kappa 93ix	Kappa 64cfx	Kappa 86cfx	Kappa 60csx	Kappa 90csx	Kappa 20mx
类型	6-1/2" (160mm) 二分频车载音响多单元扬声器	6" x 9" 三分频车载音响多单元扬声器	4" x 6" 二分频车载音响平台多元素	6" x 8" 二分频车载音响多单元扬声器	6-1/2" (160mm) 二分频车载音响套装系统附带频间隔可选分频器	6" x 9" 二分频车载音响套装系统附带频间隔可选分频器	2" 车载音响球顶中音附带高通分频器
连续功率承受能力	75W	110W	60W	100W	100W	135W	65W
峰值功率承受能力	225W	330W	180W	300W	300W	405W	195W
频率响应	45Hz-25kHz	35Hz-30kHz	75Hz-25kHz	40Hz-25kHz	45Hz-35kHz	35Hz-35kHz	550Hz-7kHz
标称阻抗	2.5 ohms	2.5 ohms	2.5 ohms	2.5 ohms	2.5 ohms	2.5 ohms	2.5 ohms
灵敏度 (2.83V/1m)	95dB	96dB	94dB	94dB	93dB	94dB	90dB
外径	6-1/8" (155.3mm)	9-1/2" x 6-11/16" (240.3mm x 168.7mm)	6-3/16" x 4-1/8" (157mm x 104mm)	9-1/16" x 5-7/8" (229mm x 147.7mm)	6-1/8" (155.3mm)	9-1/2" x 6-11/16" (240.3mm x 168.7mm)	3-1/16" (77.6mm)
安装切口直径	5-1/8" (128.8mm)	5-3/4" x 8-5/8" (146mm x 219mm)	3-5/8" x 5-1/4" (92mm x 133.2mm)	4-7/8" x 7-1/8" (123mm x 180mm)	5-1/8" (128.8mm)	5-3/4" x 8-5/8" (146mm x 219mm)	2-5/8" (65.4mm)
总深度	3" (74.1mm)	3-7/8" (97.7mm)	2-5/16" (56.4mm)	3-1/16" (75.1mm)	2-3/4" (66.8mm)	3-7/8" (97.7mm)	1-3/8" (33.4mm)
安装深度	2-1/8" (52.4mm)	3-3/16" (80.3mm)	1-7/8" (46.6mm)	2-3/8" (58.8mm)	2-1/8" (52.4mm)	3-3/16" (80.3mm)	1-1/8" (27.6mm)

Standard
Options

规格	Kappa 62ix	Kappa 93ix	Kappa 64cfx	Kappa 86cfx	Kappa 60csx	Kappa 90csx	Kappa 20mx
类型	6-1/2" (160mm) 雙路汽車音響多元件音箱	6" x 9" 三路汽車音響多元件音箱	4" x 6" 雙路汽車音響多元件	6" x 8" 雙路汽車音響多元件音箱	6-1/2" (160mm) 雙路汽車音響元件系統, 帶間隙可選分頻	6" x 9" 雙路汽車音響元件系統, 帶間隙可選分頻	2" 汽車音響球頂型中音喇叭, 帶高通分頻外殼
連續的功率處理	75W	110W	60W	100W	100W	135W	65W
峰值的功率處理	225W	330W	180W	300W	300W	405W	195W
頻率回應	45Hz-25kHz	35Hz-30kHz	75Hz-25kHz	40Hz-25kHz	45Hz-35kHz	35Hz-35kHz	550Hz-7kHz
標稱阻抗	2.5 ohms	2.5 ohms	2.5 ohms	2.5 ohms	2.5 ohms	2.5 ohms	2.5 ohms
敏感度 (2.83V/1m)	95dB	96dB	94dB	94dB	93dB	94dB	90dB
外徑	6-1/8" (155.3mm)	9-1/2" x 6-11/16" (240.3mm x 168.7mm)	6-3/16" x 4-1/8" (157mm x 104mm)	9-1/16" x 5-7/8" (229mm x 147.7mm)	6-1/8" (155.3mm)	9-1/2" x 6-11/16" (240.3mm x 168.7mm)	3-1/16" (77.6mm)
安裝開口直徑	5-1/8" (128.8mm)	5-3/4" x 8-5/8" (146mm x 219mm)	3-5/8" x 5-1/4" (92mm x 133.2mm)	4-7/8" x 7-1/8" (123mm x 180mm)	5-1/8" (128.8mm)	5-3/4" x 8-5/8" (146mm x 219mm)	2-5/8" (65.4mm)
總深度	3" (74.1mm)	3-7/8" (97.7mm)	2-5/16" (56.4mm)	3-1/16" (75.1mm)	2-3/4" (66.8mm)	3-7/8" (97.7mm)	1-3/8" (33.4mm)
安裝深度	2-1/8" (52.4mm)	3-3/16" (80.3mm)	1-7/8" (46.6mm)	2-3/8" (58.8mm)	2-1/8" (52.4mm)	3-3/16" (80.3mm)	1-1/8" (27.6mm)

Optional
Options

SPESIFIKASI	Kappa 62ix	Kappa 93ix	Kappa 64cfx	Kappa 86cfx	Kappa 60csx	Kappa 90csx	Kappa 20mx
Type	Speaker multielemen audio mobil dua arah 6-1/2" (160 mm)	Speaker multielemen audio mobil tiga arah 6" x 9"	Speaker multielemen pelat audio mobil dua arah 4" x 6"	Speaker multielemen audio mobil dua arah 6" x 8"	Sistem komponen audio mobil dua arah 6-1/2" (160 mm) dengan crossover yang celahnya dapat dipilih	Sistem komponen audio mobil dua arah 6" x 9" dengan crossover yang celahnya dapat dipilih	Jangkauan tengah kuwah audio mobil 2" dengan wadah crossover bandpass
Penanganan daya kontinu	75W	110W	60W	100W	100W	135W	65W
Penanganan daya puncak	225W	330W	180W	300W	300W	405W	195W
Respons frekuensi	45Hz-25kHz	35Hz-30kHz	75Hz-25kHz	40Hz-25kHz	45Hz-35kHz	35Hz-35kHz	550Hz-7kHz
Impedansi Nominal	2.5 ohms	2.5 ohms	2.5 ohms	2.5 ohms	2.5 ohms	2.5 ohms	2.5 ohms
Sensitivitas (2.83V/1m)	95dB	96dB	94dB	94dB	93dB	94dB	90dB
Diameter eksternal	6-1/8" (155.3mm)	9-1/2" x 6-11/16" (240.3mm x 168.7mm)	6-3/16" x 4-1/8" (157mm x 104mm)	9-1/16" x 5-7/8" (229mm x 147.7mm)	6-1/8" (155.3mm)	9-1/2" x 6-11/16" (240.3mm x 168.7mm)	3-1/16" (77.6mm)
Diameter potongan dudukan	5-1/8" (128.8mm)	5-3/4" x 8-5/8" (146mm x 219mm)	3-5/8" x 5-1/4" (92mm x 133.2mm)	4-7/8" x 7-1/8" (123mm x 180mm)	5-1/8" (128.8mm)	5-3/4" x 8-5/8" (146mm x 219mm)	2-5/8" (65.4mm)
Kedalaman total	3" (74.1mm)	3-7/8" (97.7mm)	2-5/16" (56.4mm)	3-1/16" (75.1mm)	2-3/4" (66.8mm)	3-7/8" (97.7mm)	1-3/8" (33.4mm)
Kedalaman dudukan	2-1/8" (52.4mm)	3-3/16" (80.3mm)	1-7/8" (46.6mm)	2-3/8" (58.8mm)	2-1/8" (52.4mm)	3-3/16" (80.3mm)	1-1/8" (27.6mm)

Bahasa

TEKNİK ÖZELLİKLER

	Kappa 62ix	Kappa 93ix	Kappa 64cfx	Kappa 86cfx	Kappa 60csx	Kappa 90csx	Kappa 20mx
Tip	6-1/2" (160mm) iki yollu çoklu element hoparlörü	6" x 9" üç yollu araba ses çoklu element hoparlörü	4" x 6" iki yollu araba ses plakası çoklu element	6" x 8" üç yollu araba ses çoklu element hoparlörü	6-1/2" (160mm) iki yollu araba ses bileşen sistemi, boşluk seçilebilir geçiş ile	6-9" iki yollu araba ses bileşen sistemi, boşluk seçilebilir geçiş ile	2" araba ses kubbe orta kademe, bant geçiren geçiş kabini ile
Sürekli güç kullanımı	75W	110W	60W	100W	100W	135W	65W
Tepe güç kullanımı	225W	330W	180W	300W	300W	405W	195W
Frekans yanıtı	45Hz-25kHz	35Hz-30kHz	75Hz-25kHz	40Hz-25kHz	45Hz-35kHz	35Hz-35kHz	550Hz-7kHz
Nominal Empedans	2.5 ohms	2.5 ohms	2.5 ohms	2.5 ohms	2.5 ohms	2.5 ohms	2.5 ohms
Hassasiyet (2.83V/1m)	95dB	96dB	94dB	94dB	93dB	94dB	90dB
Dış çap	6-1/8" (155.3mm)	9-1/2" x 6-11/16" (240.3mm x 168.7mm)	6-3/16" x 4-1/8" (157mm x 104mm)	9-1/16" x 5-7/8" (229mm x 147.7mm)	6-1/8" (155.3mm)	9-1/2" x 6-11/16" (240.3mm x 168.7mm)	3-1/16" (77.6mm)
Montaj kesme çapı	5-1/8" (128.8mm)	5-3/4" x 8-5/8" (146mm x 219mm)	3-5/8" x 5-1/4" (92mm x 133.2mm)	4-7/8" x 7-1/8" (123mm x 180mm)	5-1/8" (128.8mm)	5-3/4" x 8-5/8" (146mm x 219mm)	2-5/8" (65.4mm)
Toplam derinlik	3" (74.1mm)	3-7/8" (97.7mm)	2-5/16" (56.4mm)	3-1/16" (75.1mm)	2-3/4" (66.8mm)	3-7/8" (97.7mm)	1-3/8" (33.4mm)
Montaj derinliği	2-1/8" (52.4mm)	3-3/16" (80.3mm)	1-7/8" (46.6mm)	2-3/8" (58.8mm)	2-1/8" (52.4mm)	3-3/16" (80.3mm)	1-1/8" (27.6mm)



HARMAN International Industries, Inc.
8500 Balboa Boulevard, Northridge, CA 91329 USA

© 2017 HARMAN International Industries, Incorporated. All rights reserved.
Infinity is a trademark of HARMAN International Industries, Incorporated, registered in the United States and/or other countries.

www.infinetyspeakers.com

Features, specifications and appearance are subject to change without notice.

© 2017 HARMAN International Industries, Incorporated. Все права защищены.
Infinity является торговой маркой Harman International Industries, Incorporated, зарегистрированной в США и/или других странах.

Функции, характеристики и внешний вид описываемых компонентов могут быть изменены без предварительного уведомления.



Торговая марка	: Infinity
Назначение товара	: Автомобильная акустическая система
Изготовитель	: Харман Интернешнл Индастриз Инкорпорейтед, США, 06901 Коннектикут, г.Стемфорд, Атлантик Стрит 400, офис 1500
Страна происхождения	: Китай
Импортер в Россию	: ООО "ХАРМАН РУС СиАйЭс", Россия, 127018, г.Москва, ул. Двинцев, д.12, к 1
Гарантийный период	: 1 год
Информация о сервисных центрах	: www.harman.com/ru тел. +7-800-700-0467
Срок службы	: 2 года
Дата производства	: Товар не подлежит обязательной сертификации
следующих после	: Дата изготовления устройства определяется по двум буквенным обозначениям из второй группы символов серийного номера изделия, разделительного знака «-». Кодировка соответствует порядку букв латинского алфавита, начиная с января 2010 года: 000000-MY0000000, где «M» - месяц производства (А - январь, В - февраль, С - март и т.д.) и «Y» - год производства (А - 2010, В - 2011, С - 2012 и т.д.).